



ROTRIX

AFRICA INDUSTRIES CC

13 Krone Street

Worcester

South Africa

☎ +27 23 342 3438

📠 +27 23 342 8469

ROTRIX SPORTSMAN IRRIGATOR SERVICE & MAINTANANCE

1. **Chassis:** Maintenance free

The chassis is hot dipped fully galvanized and protected against rust under wet conditions.

Note: The chassis may discolour and turn brown if water supply has high iron content, but this will not affect the galvanized protection.

2. **Wheels:**

The Sportsman is supplied with 2 x 220mm Diameter plastic and rubber wheels. General use over time will cause bushes to wear. This will cause excess play on the wheel shafts, and if not replaced, may damage the wheel shafts. (See parts list for replacement.)

3. **Wheel Shafts:**

The wheel shafts are fitted with a pre tensioning lock nut to keep wheels in place. Wheels should be removed once a month and greased if in continuous use. Each wheel is supplied with 2 nylon spacers. Allow 2mm play on pre-tensioning locking nut.

4. **Cable Drum Shaft and Bushes:**

The cable drum requires a set of 2 bushes (Sportsman cable drum bush set) Regular maintenance inspection should be done to check that no excessive wear and tear has taken place on bushes and shaft. If play exceeds 5mm, replace bush set. On assemble apply universal bearing grease.

Note: See parts list for details

5. **Cable Maintenance:**

Rotrix Sportsman is supplied with a 3mm x 120m galvanized wire rope. The cable is supplied with a swivel anchor ring to attach over the anchor pole supplied which prevents the cable twisting while in operation. To prevent cable damage always ensure it is firmly wound back onto drum. Do not allow cable to kink as this may cause failure at a later stage. To preserve the cable life while not in use, it is recommended to pour diesel or used engine oil over cable while wound on drum and allow it to soak into cable to prevent inner core rust.

6. **Cable Guide Block and Stopping Lever:**

The Sportsman has a stopping lever which is designed to shut off the water supply to drive nozzle and is activated by a stopper attached towards the end of the cable near the anchor pole which pulls up against the cable guide block (see parts list for details). This pushes against the stopping lever which via a cable closes the ball valve supplying the water to drive nozzle. The cable block guides the cable and keeps it clean. Normal wear and tear of the cable block is acceptable with replacement annually recommended. (See parts list for details).

7. **Skid Plate:**

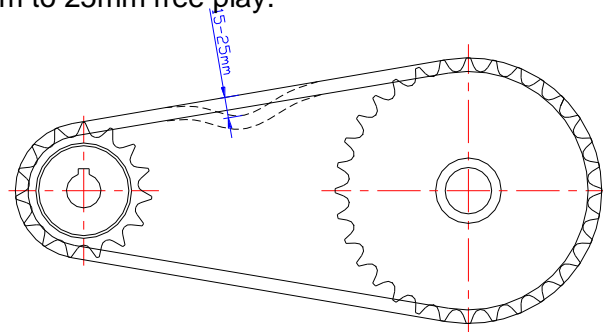
The Sportsman has a shaped skid plate fitted to front of chassis which allows the Sportsman to travel firmly forward over uneven terrain. No maintenance is required.

8. **Sprockets:**

The Sportsman has 2 x drive sprockets. Namely: 1x Gearbox sprocket and 1 x cable drum plate wheel sprocket. Note: After many years of use or if a chain is replaced reverse the large cable drum plate wheel as the teeth may show signs of wear in the forward direction.

9. **Chain Maintenance:**

The Sportsman is supplied with 1 x drive chain which connects the gearbox sprocket to cable drum plate wheel. Tension in the chains should be set to allow for 15mm to 25mm free play.



SPROCKET PLAY DETAIL

Keep chain well greased at all times.

10. **Hose Winder:**

The Sportsman is supplied with a manual hose winder. This gives 1 person the ability to wind the hose back onto its storage reel. The operator should first make sure that hose ends are disconnected from the machine and the hydrant and then laid in a straight line behind the Sportsman. The Sportsman should remain anchored to the anchor pole for stability. This will also stop the machine rolling backwards during the hose roll up process. Once the hose is lying flat on the ground behind the machine, walk along the full hose length lifting it to drain the excess water from the hose. Once this is done, feed the hose end into the centre of the hose reel and start winding.

Note: This process should be followed every time the machine is moved to a new lane. Failure to do so may affect the hose warrantee.

11. **Gearbox and Pelton open Turbine drive Wheel:**

The gearbox is a sealed unit and does not require maintenance, however if it is discovered that the input shaft has play on the bearings, they should be replaced immediately. **GREY ALUMINIUM GEARBOX:** Part no. 1xFront Bearings: 6202, 1x Rear Bearing 6301 1x Front Seal: 15x35x7

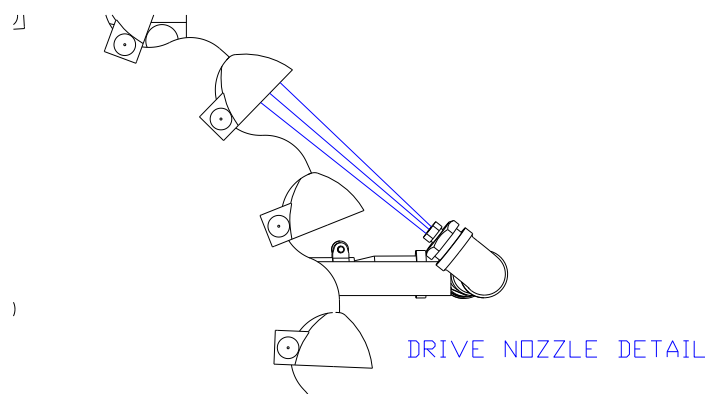
The gearbox can be half filled with universal grease on assembly.

The open drive pelton wheel has 15 special designed rubber cups which harness the energy from the 4mm drive nozzle. It is important that the drive nozzle does not touch the rubber cups as this will cause damage. (Refer to parts list for replacement).

12. **Drive Nozzle with Stream Straighter:**

The drive nozzle is the heart of the mechanical drive process and it is very important that its projector angle is correctly aligned. Incorrect angle will alter the machines performance. The drive nozzle is 4mm and under normal conditions at 2.5 Bar will use 0.8m³/hour. If the jet appears fuzzy and spread, remove and check for any blockages.

Note: see sketch for adjustment



Adjustment of the drive nozzle can be done by releasing the clamping wing bolts and aligning the nozzle.

13. **Sprinklers:**

The Sportsman is fitted with a standard (Part circle) sprinkler and 3 sets of Nozzles. At 2.5 Bar the sprinkler has a wetted diameter of 32m and different size nozzles are available on request to suit water application requirements.

14. **Control Valves & Pressure Gauge:**

The Sportsman is supplied with 1 x 15mm control valve to control the drive nozzle pressure and speed. Note: It is important that the pressure gauge should be turned off from the pressure while not in use as this will prolong its life. This is done via the stop cock valve.

For more information and assistance please contact Rotrix Africa cc.